

### Bronze Y Strainer PN20/300PSI/Class150

BSEN12288, Threaded Ends Comply to BS21 or ANSI 2.1

Hydraulic Pressure Test	
Body	3.0Mpa/30Bar

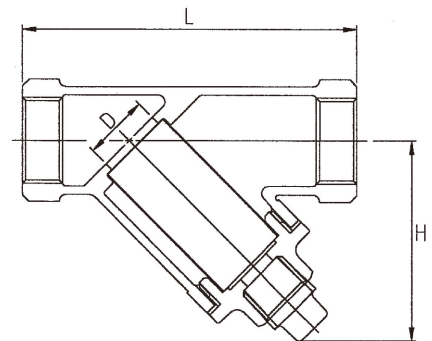
Pressure Ratings	
0.9 Mpa at 180°C	
2.0 Mpa at -20°C-100°C	



**Y107**  
1/2" - 3"

#### Materials List

No	Part	Specification	BS EN	ASTM
1	Body	Cast Bronze	1982CC490K	B584CA844
2	Strainer Screen (20 Mesh)	Stainless Steel	BSEN 10088-1	304 SS 20 MESH
3	Bonnet	Cast Bronze	1982 CC490K	B584 CA844
4	Gasket	NBR	NBR	NBR
5	Plug	Cast Bronze	1982 CC490K	B584 CA844



#### Dimensions-Weights

mm	15	20	25	32	40	50	65	80	
In	1/2	3/4	1	1 1/4	1 1/2	2	2 1/2	3	
L	80	100	115	135	160	190	220	265	
H	48.5	58	70	80	93	112	130	146	
D	14	19.5	25	31.8	38.1	50	63.5	76.2	
Weight	Lbs	0.77	1.19	1.87	2.38	4.04	6.35	9.55	13.96
	Kg	0.35	0.54	0.85	1.08	1.83	2.88	4.33	6.33

\* **Freezing Weather Precaution:** Subsequent to testing a piping system, valves should be left in an open position to allow complete drainage.

Each TALOAR bronze valve has been thoroughly cleaned and degreased and packed separately in the sealed polythene bag.